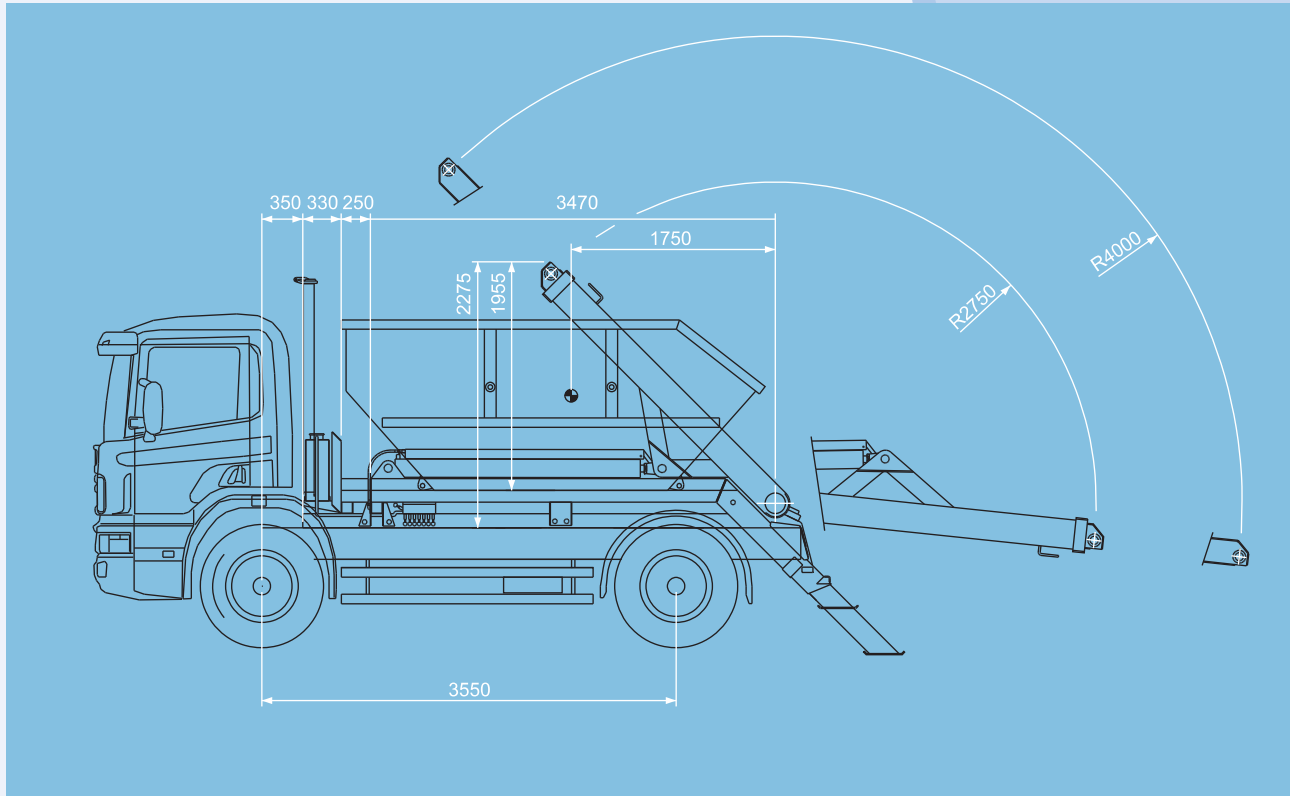


**Skiploader 12Tons
on Scania P114 GB**



Skiploader NG 2012 TA on Scania P114 GB 4x2 NA



Technical specifications

| | |
|---------------|--------------------------|
| Skiploader | NG 2012 TA + 250 mm ext. |
| Truck chassis | Scania P114 GB 4x2 NA |
| G.V.W. | 18.000 kg |
| Pay load | ± 8.700 kg |
| Wheel base | 3.550 mm |

| | |
|----------------------------|----------|
| Dimensions | |
| Total width | 2.500 mm |
| Lifting arms extension | 1.250 mm |
| Between the arms | 2.150 mm |
| Between top swivel bracket | 2.020 mm |
| Lifting chain length | 1.270 mm |

| | |
|----------------------------|-----------|
| Lifting force ground level | |
| Arm length 2750 mm | 12.000 kg |
| Arm length 4000 mm | 8.200 kg |

| | |
|--|----------|
| Lifting force 800 mm below ground level | |
| Arm length 2750 mm | 7.500 kg |
| Arm length 4000 mm | 5.100 kg |
| (Based on liftings arms under an angle of 15°) | |

| | |
|---------------------------|----------|
| Weight of the systeem | |
| Standard (incl. subframe) | 3.200 kg |
| + 250 mm | 3.280 kg |
| + 450 mm | 3.300 kg |
| + 650 mm | 3.320 kg |
| + 850 mm | 3.335 kg |
| + 1350 mm | 3.380 kg |

Hyvalift / Technamics

Zeppelinstraat 21
9703 BR Hoogeveen
The Netherlands
Tel: +31 (0)582 - 22 98 50
Fax: +31 (0)582 - 26 62 11

www.hyva.com info@hyva.com

Hyva International B.V.

Ondernemingsweg 1
2404 HM Alphen aan den Rijn
The Netherlands
Tel: +31 (0)172 - 42 35 55
Fax: +31 (0)172 - 41 38 97

www.hyva.com info@hyva.com