

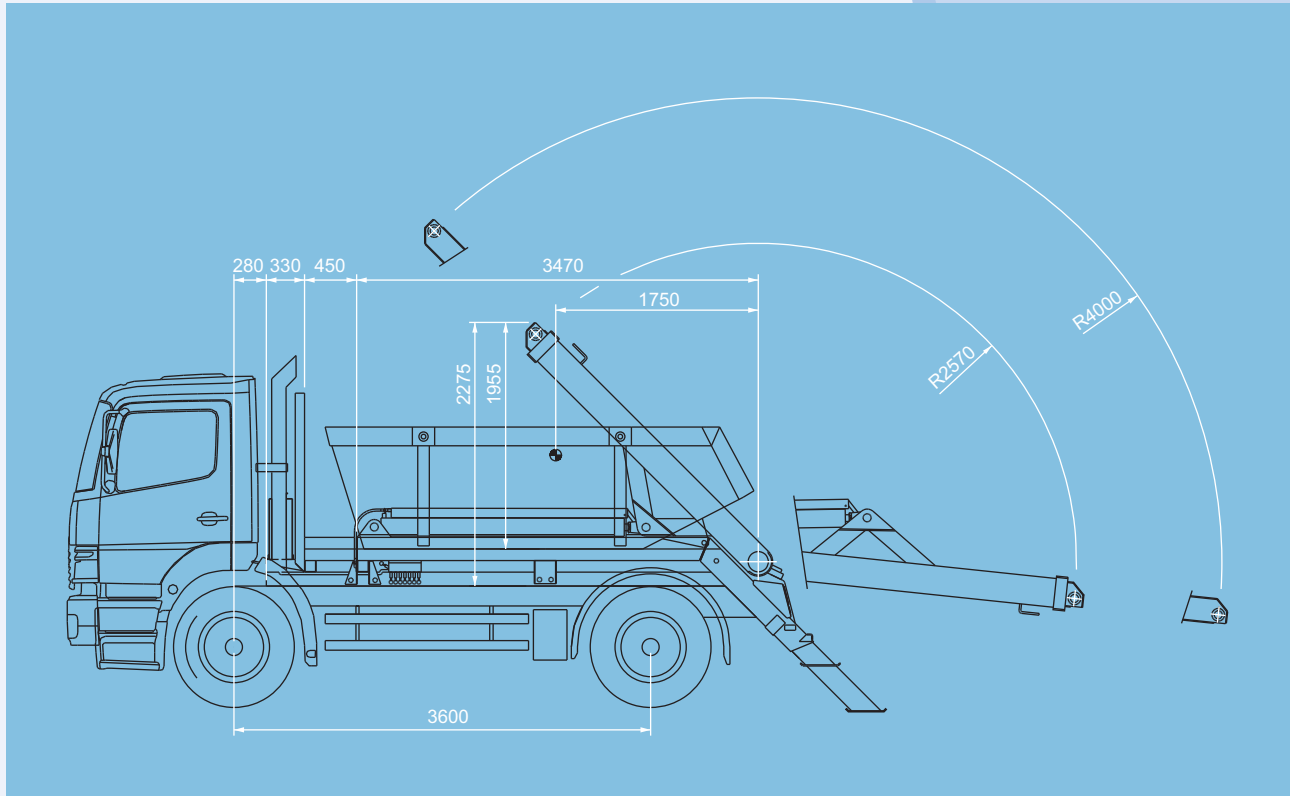
Skiploader 12Tons on Mercedes Atego

HYVA[®]LIFT



Hyva moves your world
www.hyva.com

Skiploader NG 2012 TA on Mercedes Atego 1823



Technical specifications

Skiploader	NG 2012 TA + 250 mm ext.	Lifting force ground level	
Truck chassis	Mercedes Atego 1823 4x2	Arm length 2750 mm	12.000 kg
G.V.W.	18.600 kg	Arm length 4000 mm	8.200 kg
Pay load	± 9.000 kg	Lifting force 800 mm below ground level	
Wheel base	3.600 mm	Arm length 2750 mm	7.500 kg
		Arm length 4000 mm	5.100 kg
Dimensions		(Based on lifting arms under an angle of 15°)	
Total width	2.500 mm	Weight of the systeem	
Lifting arms extension	1.250 mm	Standard (incl. subframe)	3.200 kg
Between the arms	2.150 mm	+ 250 mm	3.280 kg
Between top swivel brackets	2.020 mm	+ 450 mm	3.300 kg
Lifting chain length	1.270 mm	+ 650 mm	3.320 kg
		+ 850 mm	3.335 kg
		+ 1350 mm	3.380 kg

Hyvalift / Technamics

Zeppelinstraat 21
9703 BR Hoogeveen
The Netherlands
Tel: +31 (0)582 - 22 98 50
Fax: +31 (0)582 - 26 62 11

www.hyva.com info@hyva.com

Hyva International B.V.

Ondernemingsweg 1
2404 HM Alphen aan den Rijn
The Netherlands
Tel: +31 (0)172 - 42 35 55
Fax: +31 (0)172 - 41 38 97

www.hyva.com info@hyva.com