

HYVA[®]LIFT

Hookloader "S" on MAN

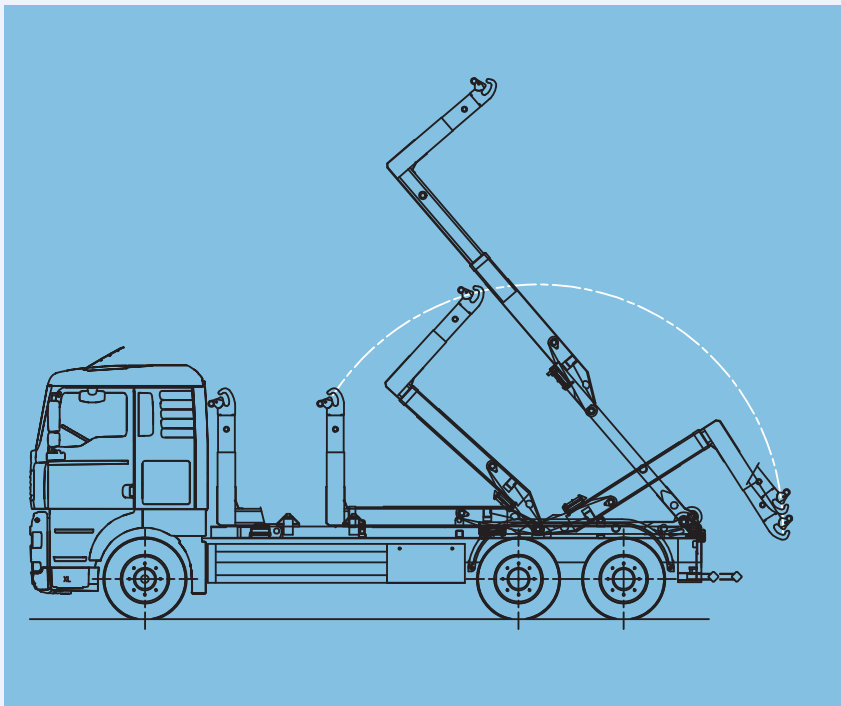


Hyva moves your world
www.hyva.com

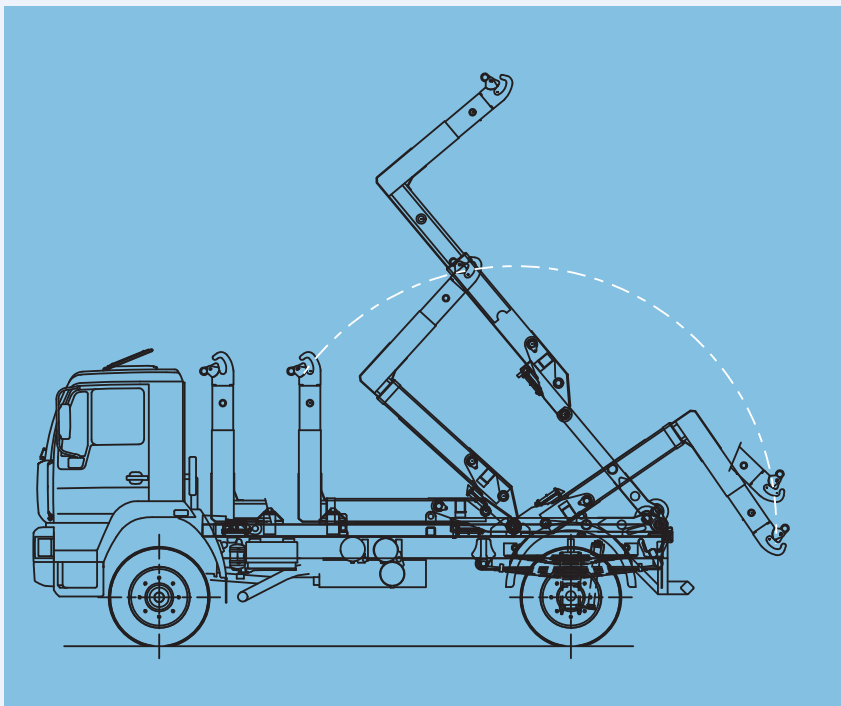
Hookloader "S"

on MAN

Technical specifications



Type hookloader	22-60-S
Chassis	MAN TG-A 6x2
Lift and tipping capacity	22 ton
Total length (center pick-up hook - center of tip. hinge)	6.000 mm
Hook height	1.450 mm
Tipping angle	50°
Weight	approx. 2.600 kg
Min. container length	4.650 mm
Max. container length	7.100 mm
Container locking	Hydraulic inside
Control	Single lever cab control



Type hookloader	14-45-S BiZa
Chassis	MAN LE280B
Lift and tipping capacity	14 ton
Total length (center pick-up hook - center of tip. hinge)	4.500 mm
Hook height	1.450 mm
Tipping angle	50°
Weight	approx. 1.850 kg
Min. container length	3.650 mm
Max. container length	5.600 mm
Container locking	Hydraulic inside
Control	Single lever cab control

Hyvalift / Technamics

Zeppelinstraat 21
9703 BR Hoogeveen
The Netherlands
Tel: +31 (0)582 - 22 98 50
Fax: +31 (0)582 - 26 62 11

www.hyva.com info@hyva.com

Hyva International B.V.

Ondernemingsweg 1
2404 HM Alphen aan den Rijn
The Netherlands
Tel: +31 (0)172 - 42 35 55
Fax: +31 (0)172 - 41 38 97

www.hyva.com info@hyva.com