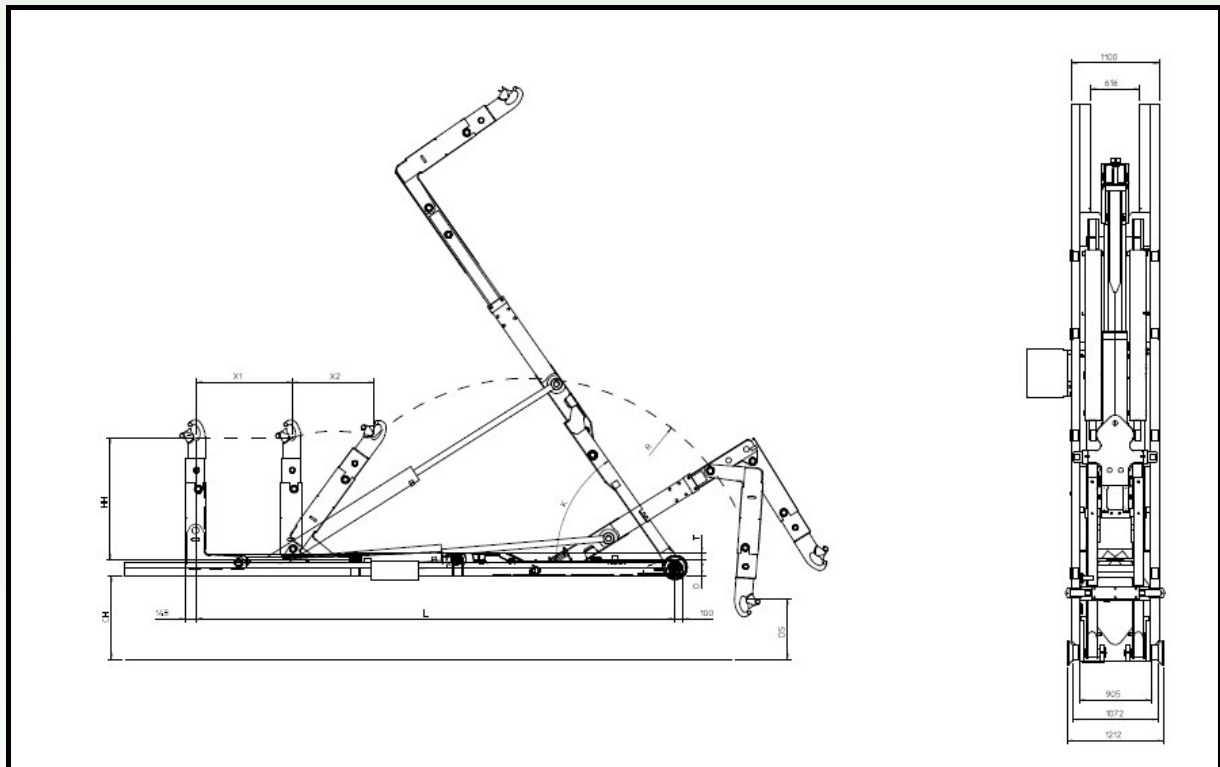


# HOOK LOADER

# GROUP

“Coalan” Capacity 260kN (-SK) H = 1570 mm CH = 1050 mm



TYPE:	COALAN 26-55-SK	COALAN 26-58-SK	COALAN 26-60-SK	COALAN 26-62-SK	COALAN 26-65-SK
X (mm)	800 +1050	1000 +1050	1200 +1050	1200 +1050	1400 +1050
L (mm)	5500	5800	6000	6200	6500
O (mm)	195	195	195	195	195
K	57°	55°	55°	53°	58°
R (mm)	2648	2631	2631	2709	2792
T (mm)	100	100	100	100	100
Weight <sup>1</sup> (kg)	2850	2900	2950	3000	3100
DS (mm)	767	580	607	607	687
Min./max. container length (mm)	3700- 6600	3800- 6900	3800- 7100	4000- 7300	4100- 7600
Loading (time) <sup>2</sup> (s)	52	52	53	55	55
Unloading (time) <sup>2</sup> (s)	66	66	67	71	71
Tipping (time) <sup>2</sup> (s)	54	54	54	57	57
Fast unloading (time) <sup>2</sup> (s)	25	25	27	28	28

**Build up height only 195 mm**

**H** = Hook height, **CH** = Chassis height, **DS** = Lowest pick up point (depending on hook- and chassis height)

<sup>1</sup> Rough estimation based on a standard system, filled with oil and without mounting kit accessories.

<sup>2</sup> Rough estimation based on PTO type C, pump 80 l/min., motor 1200rpm, PTO transmission i = 1.0 and dependent on cylinder thickness

<sup>3</sup> “Coalan” is celtic for: slender